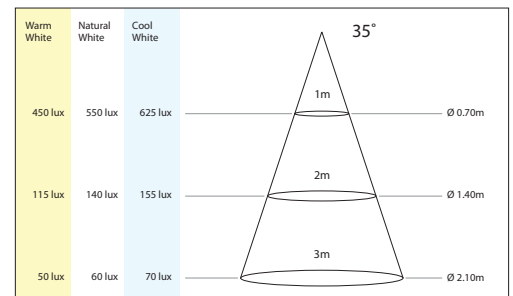


### Features

The Luxor LED spot is only available in anodized aluminium and can be used to replace 50 mm halogen spots.

### Specifications

Input current	350mA or 700mA (max.)
Input power	2.3W at 700mA(max.)
Forward voltage	3.3V
Number of LEDs	1
LED type	Current
LED Expected lifetime	50.000hrs / 70%
Approved Drivers	Lumotech L05011iNS / L05013NS / L05016iNS / L05020NS / L05021NS (See website for more info)
Dimmable	Depends on the used driver
Ambient Temperature (Ta)	-20°C to +35°C
Available LED Colours	Warm white / Natural white / Cool white / Red / Blue / Green / Amber
Default light angle	35°
Classifications	III, IP20, F
Case dimensions (ØxH)	50 x 25 mm
Built in size (Ø)	43 mm
Case material	Anodized aluminium
Case colors	Aluminium (Anodized) / Black (Anodized) / White (RAL 9010)
Case weight	47.5 gram
Max. Case temperature (Tc)	70°C
Storage temperature	-20°C to +50°C
Lead connection method	Lumoluce 'Click and go' - connector system
Rotation angle	45°
Approvals	CE



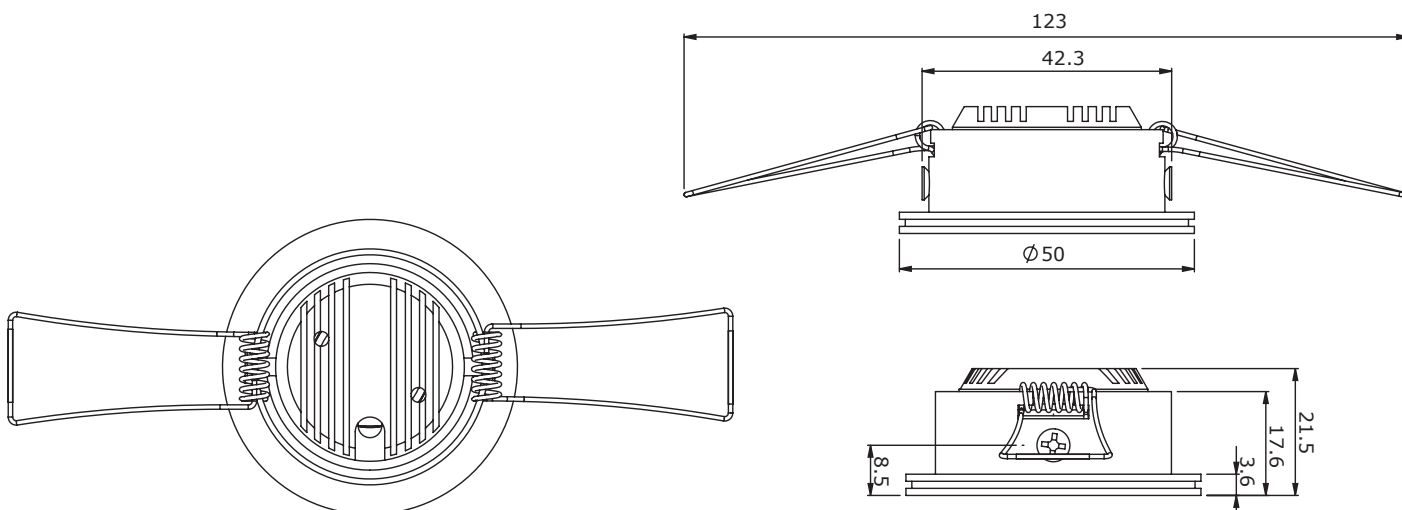
### Notes

The lifetime durability of the Luxor is dependant on the ambient temperature! Never mount the Luxor in direct sunlight or near a heatsource. Mount the Luxor only in a properly ventilated place.

The photometric information for each product is available for download with an .ldt file extension, allowing the data to be imported into most light building software packages.

## Technical drawing

Some technical drawings of this product are shown below.



## Order

Luxor - L05420 Warm white - Alu case	L05420WW
Luxor - L05420 Warm white - White case	L05420WW-W
Luxor - L05420 Warm white - Black case	L05420WW-B
Luxor - L05420 Natural white - Alu case	L05420NW
Luxor - L05420 Natural white - White case	L05420NW-W
Luxor - L05420 Natural white - Black case	L05420NW-B
Luxor - L05420 Cool white - Alu case	L05420CW
Luxor - L05420 Red - Alu case	L05420RD

## On request

Luxor - L05420 Blue - Alu case	L05420BL
Luxor - L05420 Green - Alu case	L05420GR
Luxor - L05420 Amber - Alu case	L05420AM

## Disclaimer

©2010, Lumoluce B.V. All rights reserved. Designs and specifications may change without prior notice.